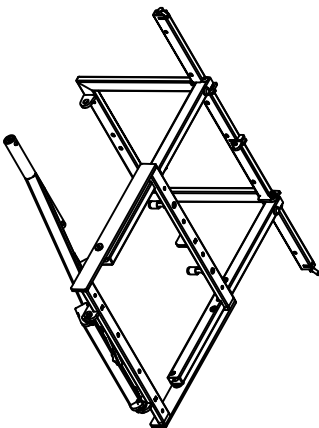
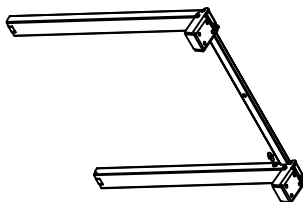
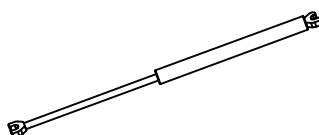
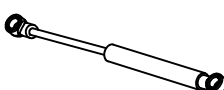
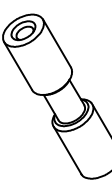
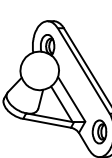
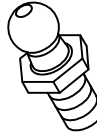


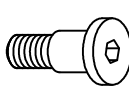
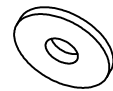

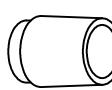


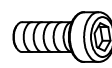
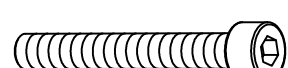




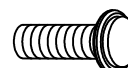


SLIM

MATERIALE FORNITO - MATERIALS PROVIDED

A  . 1 X	B  . 1 X	C  . 1 X	D  . 1 X	E  . 1 X	F  . 1 X	G  . 1 X
--	---	--	---	---	---	---

H  . 1 X	I  . 1 X	L  . 2 X 8MA	M  . 2 X 24X10X2	N  . 4 X	O  . 2 X	P  . 8 X TP 6x25	Q  . 8 X TP 6x15
---	--	---	--	--	--	---	---

R  . 2 X TB 5x10	S  . 2 X TC 8x45	T  . 2 X TS 3.5x16 autofilettante self-tapping	U  . 1 X TS 2.5x18 autofilettante self-tapping	V  . 2 X 6x18 metal	Z  . 3 X 8MA	X  . 3 X 8MA
---	--	---	---	---	---	---